



# LINDSTRAND BALLOONS LTD

## FLIGHT MANUAL SUPPLEMENT NO. 4

### REMOVABLE BASKET CROSS PARTITIONS

#### SECTION 1 - OPERATIONAL LIMITATIONS

Add the following:

- 1.1.12 For baskets fitted with removable cross partitions, the partitions must be correctly installed prior to take off, in accordance with para. 1.2.2.

The bolt-in removable partition may only be fitted to basket type BA-041-A-001.

The sliding latch removable partition may only be fitted to baskets as follows:

Partitioned baskets up to 1.65 m long  
Single-T baskets up to 2.6 m long  
Double-T baskets up to 3.0 m long

#### SECTION 2 - NORMAL PROCEDURES

Add the following:

2.1.8 Installation of Cross Partitions

There are two types of removable partition which may be fitted to Lindstrand baskets. Identify the type of partition by reference to Figure 2.1.8.

For the "bolt-in" type, installation and removal is as follows:

Lift the cross partition from its' storage location and orient it such that the T-bar end is towards the centre of the passenger compartment. Rotate the outboard joint so that it is facing downwards and slide the end of the partition onto the joint. Adjust the partitions' position so that the hole in the tube lines up with the hole in the joint. Insert the retaining pin. Rotate the complete partition upwards until the holes in the T-bar are aligned with the holes in the centre bar. Insert the two M12 bolts and tighten the two hand wheels until tight.

Removal is the reverse of this procedure. See Figure 2.1.8.

For the sliding latch type, installation and removal is as follows:

Lift the cross partition from its' storage location and orient it such that each end is aligned with the swivel sockets fitted to the basket. Slide the short bolts fitted in each end of the cross partition into the swivel sockets by moving the handles. Fit the shaft locking pins in the holes in the swivel sockets and lock in position by operating the spring retainers.

Removal is the reverse of this procedure.

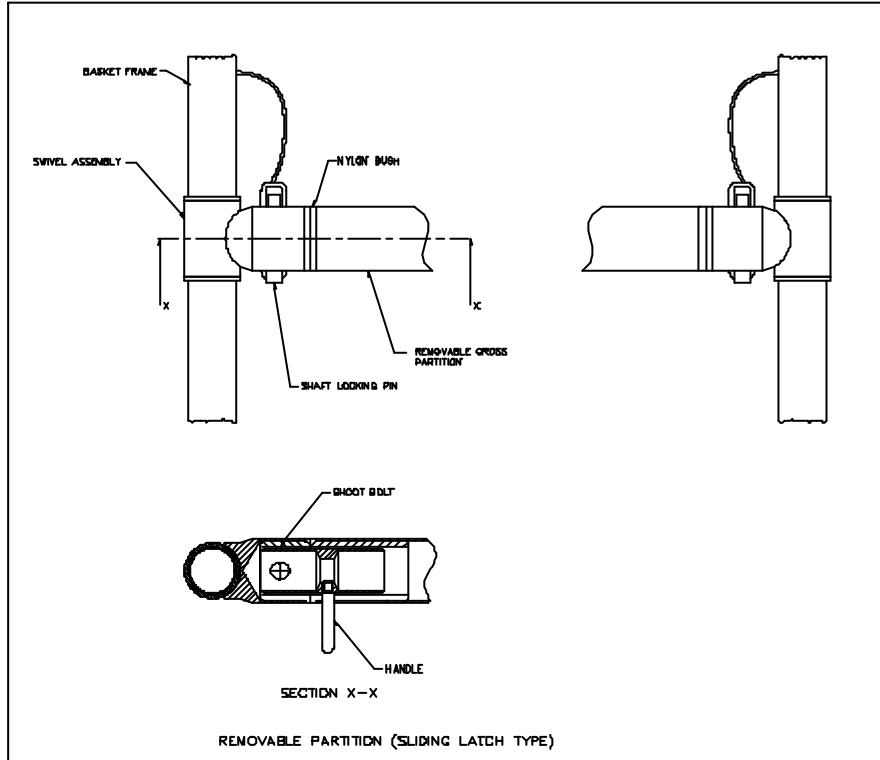
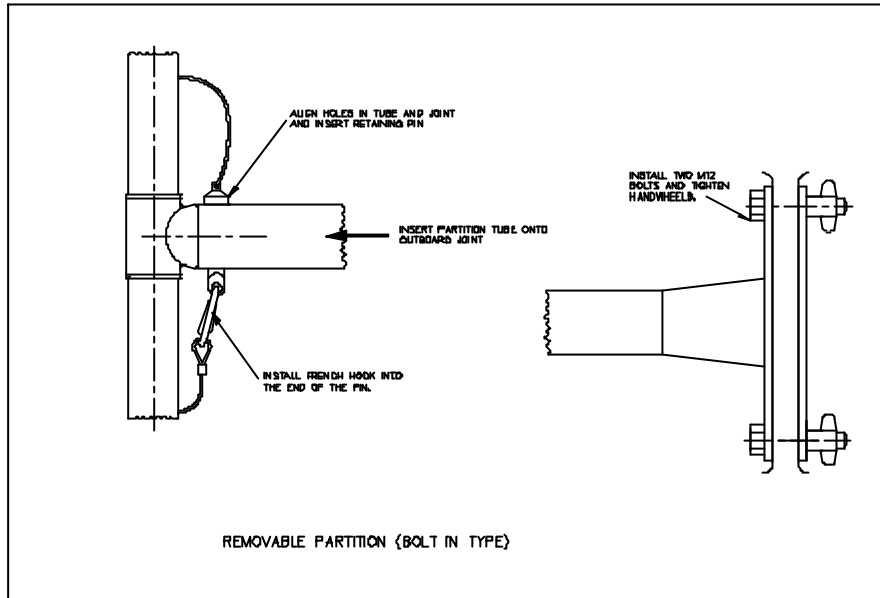


FIG 2.1.8 REMOVABLE BASKET PARTITIONS

